

CABLE GLANDS, CABLE CLAMPS





Plastic cable glands
page 1.1



Plastic lock nuts
page 1.10



Plastic plugs
page 1.12



Plastic compensating valves
page 1.15



Metal cable glands
page 1.16



Metal lock nuts
page 1.25



Metal plugs
page 1.30



Metal compensating valves
page 1.33



Sealing rings
page 1.34



Plastic cable clamps
page 1.36



Metal fittings
page 1.37



MATERIAL

Body: PA6 (Polyamide)
Sealing ring: CR/NBR (Nitrile chloroprene)
Gasket: CR (Chloroprene)

COLOUR

- G5 Grey RAL 7035
- G7 Grey RAL 7001
- N5 Black RAL 9005

PROTECTION GRADE

IP68 - 5 bar

SELF-EXTINGUISHING

UL 94 V-2

OPERATING TEMPERATURE

-20°C ÷ 100°C

CERTIFICATION

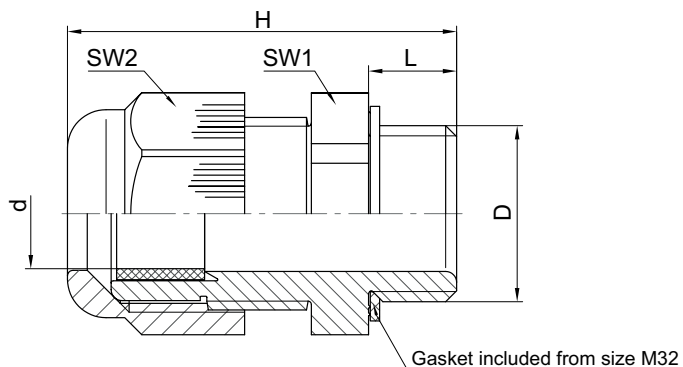
VDE40020902

UL/CSA-FILE

E140310

STANDARD TEST

EN 62444 / UL 514B



Code G5	Code G7	Code N5	D	d	H	L	Properties	SW1	SW2	Package (pcs)
JCR0401203CM8	JCR0401203CO9	JCR0401203CM0	M12 x 1,5	3 ÷ 6,5	31	8	Standard thread	15	15	100
JCR0401605CM8	JCR0401605CO9	JCR0401605CM0	M16 x 1,5	5 ÷ 9,5	35,5	8	Standard thread	20	20	100
JCR0402008CM8	JCR0402008CO9	JCR0402008CM0	M20 x 1,5	8 ÷ 13	36	8	Standard thread	24	24	100
JCR0402511CM8	JCR0402511CO9	JCR0402511CM0	M25 x 1,5	11 ÷ 17	43	8	Standard thread	29	29	50
JCR0403215CM8	JCR0403215CO9	JCR0403215CM0	M32 x 1,5	15 ÷ 21	50	10	Standard thread	36	36	25
JCR0404019CM8	JCR0404019CO9	JCR0404019CM0	M40 x 1,5	19 ÷ 28	51	10	Standard thread	46	46	10
JCR0405027CM8	JCR0405027CO9	JCR0405027CM0	M50 x 1,5	27 ÷ 35	61,5	12	Standard thread	55	55	5
JCR0406332CM8	JCR0406332CO9	JCR0406332CM0	M63 x 1,5	32 ÷ 42	65,5	12	Standard thread	68	68	5
JCR0401203LM8	JCR0401203LO9	JCR0401203LM0	M12 x 1,5	3 ÷ 6,5	38	15	Long thread	15	15	100
JCR0401605LM8	JCR0401605LO9	JCR0401605LM0	M16 x 1,5	5 ÷ 9,5	42,5	15	Long thread	20	20	100
JCR0402008LM8	JCR0402008LO9	JCR0402008LM0	M20 x 1,5	8 ÷ 13	43	15	Long thread	24	24	100
JCR0402511LM8	JCR0402511LO9	JCR0402511LM0	M25 x 1,5	11 ÷ 17	50	15	Long thread	29	29	50
JCR0403215LM8	JCR0403215LO9	JCR0403215LM0	M32 x 1,5	15 ÷ 21	55	15	Long thread	36	36	25
JCR0404019LM8	JCR0404019LO9	JCR0404019LM0	M40 x 1,5	19 ÷ 28	59	18	Long thread	46	46	10
JCR0405027LM8	JCR0405027LO9	JCR0405027LM0	M50 x 1,5	27 ÷ 35	67,5	18	Long thread	55	55	5
JCR0406332LM8	JCR0406332LO9	JCR0406332LM0	M63 x 1,5	32 ÷ 42	71,5	18	Long thread	68	68	5



The same sizes are available with UL/CSA certification



MATERIAL

Body: PA6 (Polyamide)
Sealing ring: CR/NBR (Nitrile chloroprene)
Gasket: CR (Chloroprene)

COLOUR

- G5 Grey RAL 7035
- G7 Grey RAL 7001
- N5 Black RAL 9005

PROTECTION GRADE

IP68 - 5 bar

SELF-EXTINGUISHING

UL 94 V-2

OPERATING TEMPERATURE

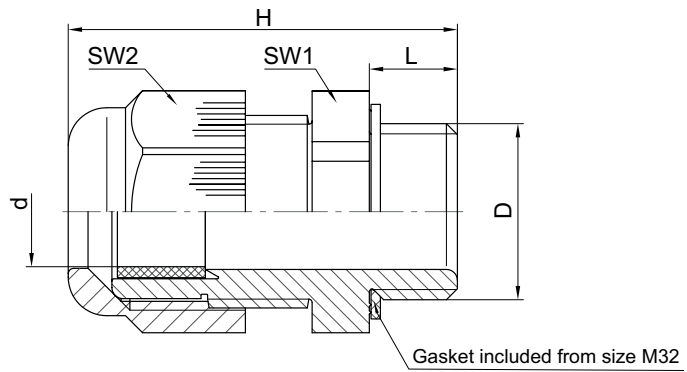
-20°C ÷ 100°C

UL/CSA-FILE

E140310

STANDARD TEST

514B



Code G5	Code G7	Code N5	D	d	H	L	SW1	SW2	Package (pcs)
JCR15012020M8	JCR15012020O9	JCR15012020M0	M12 x 1,5	2 ÷ 5	31	8	15	15	100
JCR15016030M8	JCR15016030O9	JCR15016030M0	M16 x 1,5	3 ÷ 7	44	15	22	22	100
JCR15020050M8	JCR15020050O9	JCR15020050M0	M20 x 1,5	5 ÷ 9	41,5	11	24	24	100
JCR15020070M8	JCR15020070O9	JCR15020070M0	M20 x 1,5	7 ÷ 12	47,5	15	27	27	50
JCR15025090M8	JCR15025090O9	JCR15025090M0	M25 x 1,5	9 ÷ 16	52	15	33	33	50
JCR15032120M8	JCR15032120O9	JCR15032120M0	M32 x 1,5	12 ÷ 20	57	15	42	42	25
JCR15040200M8	JCR15040200O9	JCR15040200M0	M40 x 1,5	20 ÷ 26	69	18	53	53	10
JCR15050250M8	JCR15050250O9	JCR15050250M0	M50 x 1,5	25 ÷ 31	73,5	18	60	60	5
JCR15063290M8	JCR15063290O9	JCR15063290M0	M63 x 1,5	29 ÷ 35	73	18	65	65	5

- 1
- 2
- 3
- 4
- 5
- 6
- 7
- 8
- 9
- 10
- 11
- 12
- 13
- 14
- 15
- 16
- 17
- 18
- 19
- 20
- 21



MATERIAL

Body: PA6 (Polyamide)
Sealing ring: TPE (Thermoplastic elastomer)
Gasket: CR (Chloroprene)

COLOUR

- G5 Grey RAL 7035
- G7 Grey RAL 7001
- N5 Black RAL 9005

PROTECTION GRADE

IP65

SELF-EXTINGUISHING

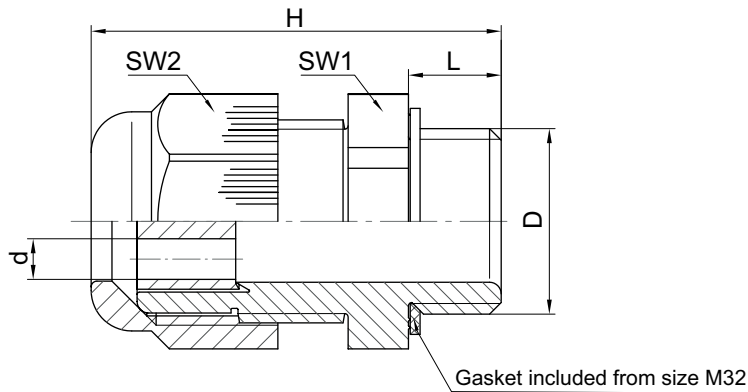
UL 94 V-2

OPERATING TEMPERATURE

-20°C ÷ 100°C

ACCESSORIES

Multi-hole sealing rings



Code G5	Code G7	Code N5	D	no. of Holes x d x d	H	L	SW1	SW2	Package (pcs)
JCR17012216M8	JCR17012216O9	JCR17012216M0	M12 x 1,5	2 x 1,6	31	8	15	15	100
JCR17016245M8	JCR17016245O9	JCR17016245M0	M16 x 1,5	2 x 4,5	35,5	8	20	20	100
JCR17020240M8	JCR17020240O9	JCR17020240M0	M20 x 1,5	2 x 4	36	8	24	24	100
JCR17025465M8	JCR17025465O9	JCR17025465M0	M25 x 1,5	4 x 6,5	43	8	29	29	50
JCR17032485M8	JCR17032485O9	JCR17032485M0	M32 x 1,5	4 x 8,5	50	10	36	36	25
JCR17040585M8	JCR17040585O9	JCR17040585M0	M40 x 1,5	5 x 8,5	51	10	46	46	10



MATERIAL

Body: PA6 (Polyamide)
Sealing ring: CR/NBR (Nitrile chloroprene)

COLOUR

- G5** Grey RAL 7035
- G7** Grey RAL 7001
- N5** Black RAL 9005

PROTECTION GRADE

IP68 - 5 bar

SELF-EXTINGUISHING

UL 94 V-2

OPERATING TEMPERATURE

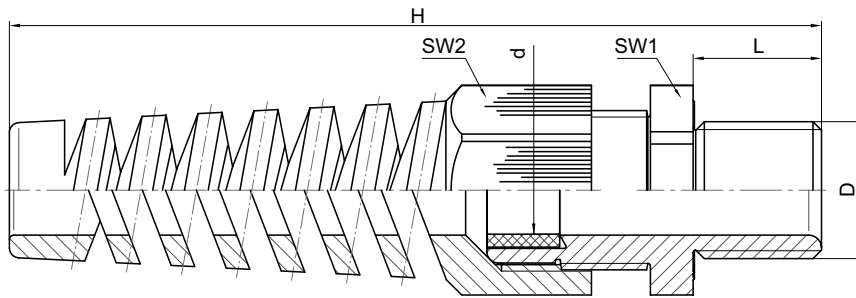
-20°C ÷ 100°C

UL/CSA-FILE

E140310

STANDARD TEST

UL 514B



Code G5	Code G7	Code N5	D	d	H	L	SW1	SW2	Package (pcs)
JCR32012030M8	JCR32012030O9	JCR32012030M0	M12 x 1,5	3 ÷ 6,5	63,5	8	15	15	100
JCR32016050M8	JCR32016050O9	JCR32016050M0	M16 x 1,5	5 ÷ 10	94,5	15	22	22	100
JCR32020060M8	JCR32020060O9	JCR32020060M0	M20 x 1,5	6 ÷ 12	101,5	11	24	24	50
JCR32020100M8	JCR32020100O9	JCR32020100M0	M20 x 1,5	10 ÷ 14	116	15	27	27	25
JCR32025130M8	JCR32025130O9	JCR32025130M0	M25 x 1,5	13 ÷ 18	132,5	15	33	33	25

1
2
3
4
5
6
7
8
9
10
11
12
13
14
15
16
17
18
19
20
21



MATERIAL

Body: PA6 (Polyamide)
External sealing ring: CR/NBR (Nitrile chloroprene)
Internal sealing ring: TPE (Thermoplastic elastomer)
Gasket: NBR/PTFE (Polytetrafluoroethylene nitrile rubber)

COLOUR

G5 Grey RAL 7035
G7 Grey RAL 7001
N5 Black RAL 9005

PROTECTION GRADE

IP68 - 5 bar

SELF-EXTINGUISHING

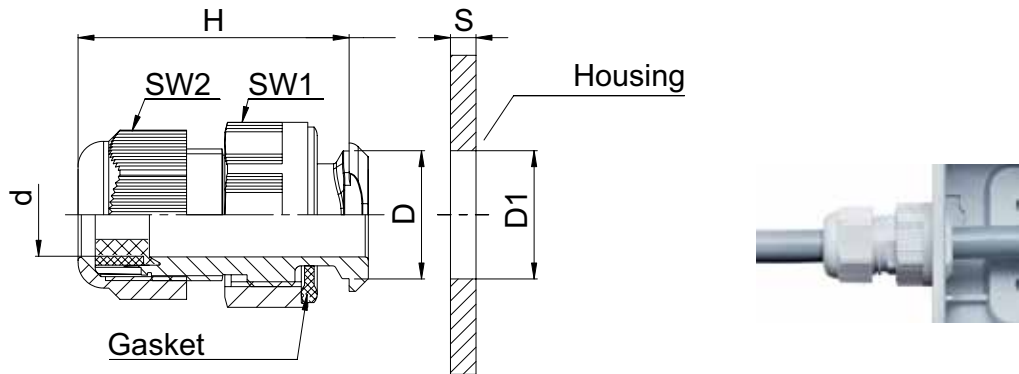
UL 94 V-2

OPERATING TEMPERATURE

-20°C ÷ 100°C

NOTES

Quick installation with bayonet closure.



Code G5	Code G7	Code N5	D	d	H	SW1	SW2	D1	S	Package (pcs)
JCR34016050M8	JCR34016050O9	JCR34016050M0	M16	5 ÷ 10	38,5	24	20	16,1 ÷ 16,3	1 ÷ 4	100
JCR34020080M8	JCR34020080O9	JCR34020080M0	M20	8 ÷ 13	42,5	26	24	20,1 ÷ 20,4	1 ÷ 4	100
JCR34025110M8	JCR34025110O9	JCR34025110M0	M25	11 ÷ 17	48	32	29	25,1 ÷ 25,4	1 ÷ 2,5	50
JCR34032150M8	JCR34032150O9	JCR34032150M0	M32	15 ÷ 21	58,5	42	36	32,1 ÷ 32,4	1 ÷ 4	25



MATERIAL

Body: PA6 (Polyamide)
Sealing ring: CR/NBR (Nitrile chloroprene)
O-Ring: NBR (Nitrile rubber)

COLOUR

- G5 Grey RAL 7035
- G7 Grey RAL 7001
- N5 Black RAL 9005

PROTECTION GRADE

IP68 - 5 bar

SELF-EXTINGUISHING

UL 94 V-2

OPERATING TEMPERATURE

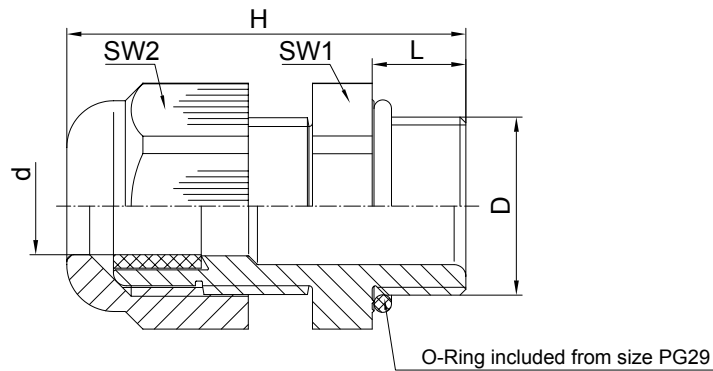
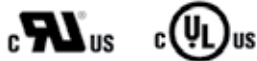
-20°C ÷ 100°C

UL/CSA-FILE

E140310

STANDARD TEST

UL 514B



Code G5	Code G7	Code N5	D	d	H	L	Properties	SW1	SW2	Package (pcs)
JCR0500703CM8	JCR0500703CO9	JCR0500703CM0	PG7	3 ÷ 6,5	30,5	8	Standard thread	15	15	100
JCR0500904CM8	JCR0500904CO9	JCR0500904CM0	PG9	4 ÷ 8	34	8	Standard thread	19	19	100
JCR0501105CM8	JCR0501105CO9	JCR0501105CM0	PG11	5 ÷ 10	37	8	Standard thread	22	22	100
JCR0501306CM8	JCR0501306CO9	JCR0501306CM0	PG13,5	6 ÷ 12	39	9	Standard thread	24	24	100
JCR0501610CM8	JCR0501610CO9	JCR0501610CM0	PG16	10 ÷ 14	42,5	10	Standard thread	27	27	50
JCR0502113CM8	JCR0502113CO9	JCR0502113CM0	PG21	13 ÷ 18	47,5	11	Standard thread	33	33	50
JCR0502918CM8	JCR0502918CO9	JCR0502918CM0	PG29	18 ÷ 25	53	11	Standard thread	42	42	25
JCR0503622CM8	JCR0503622CO9	JCR0503622CM0	PG36	22 ÷ 32	61	13	Standard thread	53	53	10
JCR0504230CM8	JCR0504230CO9	JCR0504230CM0	PG42	30 ÷ 38	65	13	Standard thread	60	60	5
JCR0500703LM8	JCR0500703LO9	JCR0500703LM0	PG7	3 ÷ 6,5	37,5	15	Long thread	15	15	100
JCR0500904LM8	JCR0500904LO9	JCR0500904LM0	PG9	4 ÷ 8	41	15	Long thread	19	19	100
JCR0501105LM8	JCR0501105LO9	JCR0501105LM0	PG11	5 ÷ 10	44	15	Long thread	22	22	100
JCR0501306LM8	JCR0501306LO9	JCR0501306LM0	PG13,5	6 ÷ 12	45	15	Long thread	24	24	100
JCR0501610LM8	JCR0501610LO9	JCR0501610LM0	PG16	10 ÷ 14	47,5	15	Long thread	27	27	50
JCR0502113LM8	JCR0502113LO9	JCR0502113LM0	PG21	13 ÷ 18	51,5	15	Long thread	33	33	50
JCR0502918LM8	JCR0502918LO9	JCR0502918LM0	PG29	18 ÷ 25	57	15	Long thread	42	42	25
JCR0503622LM8	JCR0503622LO9	JCR0503622LM0	PG36	22 ÷ 32	66	18	Long thread	53	53	10

1
2
3
4
5
6
7
8
9
10
11
12
13
14
15
16
17
18
19
20
21



MATERIAL

Body: PA6 (Polyamide)
Sealing ring: CR/NBR (Nitrile chloroprene)
O-Ring: NBR (Nitrile rubber)

COLOUR

- G5 Grey RAL 7035
- G7 Grey RAL 7001
- N5 Black RAL 9005

PROTECTION GRADE

IP68 - 5 bar

SELF-EXTINGUISHING

UL 94 V-2

OPERATING TEMPERATURE

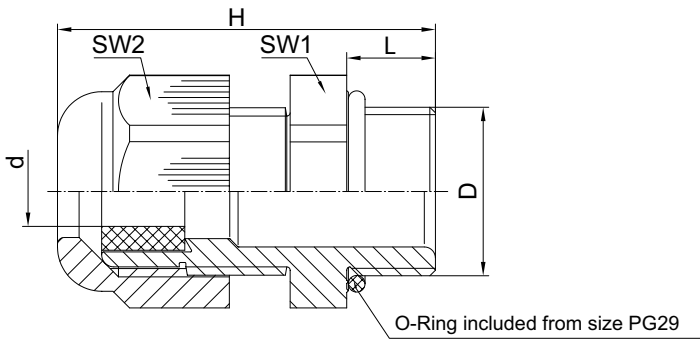
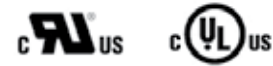
-20°C ÷ 100°C

UL/CSA-FILE

E140310

STANDARD TEST

UL 514B



Code G5	Code G7	Code N5	D	d	H	L	SW1	SW2	Package (pcs)
JCR12007020M8	JCR12007020O9	JCR12007020M0	PG7	2 ÷ 5	30,5	8	15	15	100
JCR12009020M8	JCR12009020O9	JCR12009020M0	PG9	2 ÷ 6	34	8	19	19	100
JCR12011030M8	JCR12011030O9	JCR12011030M0	PG11	3 ÷ 7	37	8	22	22	100
JCR12013050M8	JCR12013050O9	JCR12013050M0	PG13,5	5 ÷ 9	39	9	24	24	100
JCR12016070M8	JCR12016070O9	JCR12016070M0	PG16	7 ÷ 12	42,5	10	27	27	50
JCR12021090M8	JCR12021090O9	JCR12021090M0	PG21	9 ÷ 16	47,5	11	33	33	50
JCR12029120M8	JCR12029120O9	JCR12029120M0	PG29	12 ÷ 20	53	11	42	42	25
JCR12036200M8	JCR12036200O9	JCR12036200M0	PG36	20 ÷ 26	61	13	53	53	10



MATERIAL

Body: PA6 (Polyamide)
Sealing ring: TPE (Thermoplastic elastomer)
O-Ring: NBR (Nitrile rubber)

COLOUR

G5 Grey RAL 7035
G7 Grey RAL 7001
N5 Black RAL 9005

PROTECTION GRADE

IP65

SELF-EXTINGUISHING

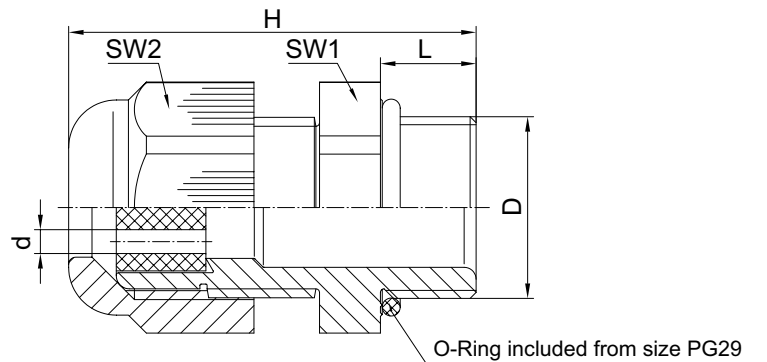
UL 94 V-2

OPERATING TEMPERATURE

-20°C ÷ 100°C

ACCESSORIES

Multi-hole sealing rings.



Code G5	Code G7	Code N5	D	no. of Holes x d x d	H	L	SW1	SW2	Package (pcs)
JCR18009235M8	JCR18009235O9	JCR18009235M0	PG9	2 x 3,5	34	8	19	19	100
JCR18011245M8	JCR18011245O9	JCR18011245M0	PG11	2 x 4,5	37	8	22	22	100
JCR18013245M8	JCR18013245O9	JCR18013245M0	PG13,5	2 x 4,5	39	9	24	24	100
JCR18016365M8	JCR18016365O9	JCR18016365M0	PG16	3 x 6,5	42,5	10	27	27	50
JCR18021465M8	JCR18021465O9	JCR18021465M0	PG21	4 x 6,5	47,5	11	33	33	50
JCR18029675M8	JCR18029675O9	JCR18029675M0	PG29	6 x 7,5	53	11	42	42	25

1
2
3
4
5
6
7
8
9
10
11
12
13
14
15
16
17
18
19
20
21



MATERIAL

Body: PA6 (Polyamide)
Sealing ring: CR/NBR (Nitrile chloroprene)

COLOUR

- G5** Grey RAL 7035
- G7** Grey RAL 7001
- N5** Black RAL 9005

PROTECTION GRADE

IP68 - 5 bar

SELF-EXTINGUISHING

UL 94 V-2

OPERATING TEMPERATURE

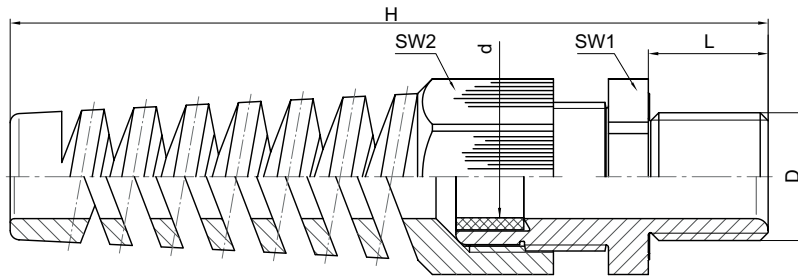
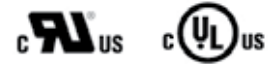
-20°C ÷ 100°C

UL/CSA-FILE

E140310

STANDARD TEST

UL 514B



Code G5	Code G7	Code N5	D	d	H	L	SW1	SW2	Package (pcs)
JCR33007030M8	JCR33007030O9	JCR33007030M0	PG7	3 ÷ 6,5	63	8	15	15	100
JCR33009040M8	JCR33009040O9	JCR33009040M0	PG9	4 ÷ 8	74	8	19	19	100
JCR33011050M8	JCR33011050O9	JCR33011050M0	PG11	5 ÷ 10	87	8	22	22	100
JCR33013060M8	JCR33013060O9	JCR33013060M0	PG13,5	6 ÷ 12	98	9	24	24	50
JCR33016100M8	JCR33016100O9	JCR33016100M0	PG16	10 ÷ 14	112	10	27	27	25
JCR33021130M8	JCR33021130O9	JCR33021130M0	PG21	13 ÷ 18	130	11	33	33	25



MATERIAL

PA6-CV30% (Glass-filled polyamide)

COLOUR

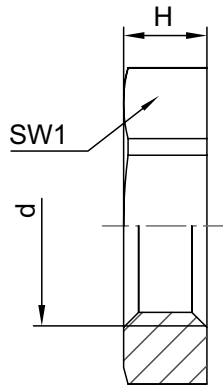
- G5 Grey RAL 7035
- G7 Grey RAL 7001
- N5 Black RAL 9005

SELF-EXTINGUISHING

HB (UL 94)

OPERATING TEMPERATURE

-40°C ÷ 100°C



Code G5	Code G7	Code N5	d	H	SW1	Package (pcs)
JCD10012000M8	JCD10012000O9	JCD10012000M0	M12 x 1,5	5	17	100
JCD10016000M8	JCD10016000O9	JCD10016000M0	M16 x 1,5	5	22	100
JCD10020000M8	JCD10020000O9	JCD10020000M0	M20 x 1,5	6	27	100
JCD10025000M8	JCD10025000O9	JCD10025000M0	M25 x 1,5	6	32	100
JCD10032000M8	JCD10032000O9	JCD10032000M0	M32 x 1,5	7	41	100
JCD10040000M8	JCD10040000O9	JCD10040000M0	M40 x 1,5	7	50	50
JCD10050000M8	JCD10050000O9	JCD10050000M0	M50 x 1,5	8	60	50
JCD10063000M8	JCD10063000O9	JCD10063000M0	M63 x 1,5	8	75	50

- 1
- 2
- 3
- 4
- 5
- 6
- 7
- 8
- 9
- 10
- 11
- 12
- 13
- 14
- 15
- 16
- 17
- 18
- 19
- 20
- 21

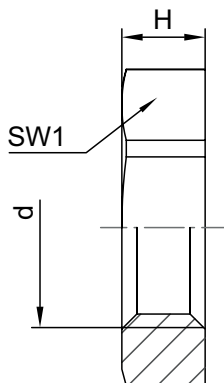


MATERIAL
PA6-CV30% (Glass-filled polyamide)

- COLOUR**
- G5 Grey RAL 7035
 - G7 Grey RAL 7001
 - N5 Black RAL 9005

SELF-EXTINGUISHING
HB (UL 94)

OPERATING TEMPERATURE
-40°C ÷ 100°C



Code G5	Code G7	Code N5	d	H	SW1	Package (pcs)
JCD05007000M8	JCD05007000O9	JCD05007000M0	PG7	5	19	100
JCD05009000M8	JCD05009000O9	JCD05009000M0	PG9	5	22	100
JCD05011000M8	JCD05011000O9	JCD05011000M0	PG11	5	24	100
JCD05013000M8	JCD05013000O9	JCD05013000M0	PG13,5	6	27	100
JCD05016000M8	JCD05016000O9	JCD05016000M0	PG16	6	30	100
JCD05021000M8	JCD05021000O9	JCD05021000M0	PG21	7	36	100
JCD05029000M8	JCD05029000O9	JCD05029000M0	PG29	7	46	100
JCD05036000M8	JCD05036000O9	JCD05036000M0	PG36	8	60	50
JCD05042000M8	JCD05042000O9	JCD05042000M0	PG42	8	65	50
JCD05048000M8	JCD05048000O9	JCD05048000M0	PG48	8	70	50

1

2

3

4

5

6

7

8

9

10

11

12

13

14

15

16

17

18

19

20

21



MATERIAL

Body: PA6 (Polyamide)
Gasket: CR (Chloroprene)

COLOUR

- G5 Grey RAL 7035
- G7 Grey RAL 7001
- N5 Black RAL 9005

PROTECTION GRADE

IP68 - 5 bar

SELF-EXTINGUISHING

UL 94 V-2

OPERATING TEMPERATURE

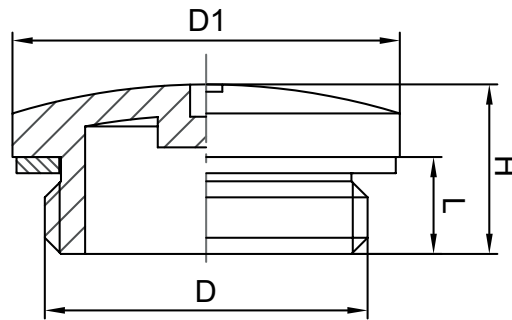
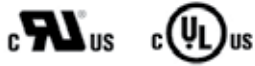
-40°C ÷ 100°C

UL/CSA-FILE

E140310

STANDARD TEST

UL 514B



Code G5	Code G7	Code N5	D	D1	H	L	Package (pcs)
JCT07012000M8	JCT07012000O9	JCT07012000M0	M12 x 1,5	15	10	6	100
JCT07016000M8	JCT07016000O9	JCT07016000M0	M16 x 1,5	20	10,5	6	100
JCT07020000M8	JCT07020000O9	JCT07020000M0	M20 x 1,5	24	10,5	6	100
JCT07025000M8	JCT07025000O9	JCT07025000M0	M25 x 1,5	30	13	8	100
JCT07032000M8	JCT07032000O9	JCT07032000M0	M32 x 1,5	37	13,5	8	100
JCT07040000M8	JCT07040000O9	JCT07040000M0	M40 x 1,5	46	14	8	50
JCT07050000M8	JCT07050000O9	JCT07050000M0	M50 x 1,5	56	16,5	10	50
JCT07063000M8	JCT07063000O9	JCT07063000M0	M63 x 1,5	70	17	12	50

1
2
3
4
5
6
7
8
9
10
11
12
13
14
15
16
17
18
19
20
21



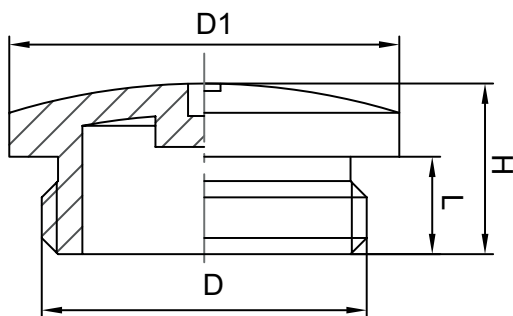
MATERIAL
PA6-CV30% (Glass-filled polyamide)

- COLOUR**
- G5 Grey RAL 7035
 - G7 Grey RAL 7001
 - N5 Black RAL 9005

PROTECTION GRADE
IP54

SELF-EXTINGUISHING
HB (UL 94)

OPERATING TEMPERATURE
-40°C ÷ 100°C



Code G5	Code G7	Code N5	D	D1	H	L	Package (pcs)
JCT05012000M8	JCT05012000O9	JCT05012000M0	M12 x 1,5	15	10	6	100
JCT05016000M8	JCT05016000O9	JCT05016000M0	M16 x 1,5	20	10,5	6	100
JCT05020000M8	JCT05020000O9	JCT05020000M0	M20 x 1,5	24	10,5	6	100
JCT05025000M8	JCT05025000O9	JCT05025000M0	M25 x 1,5	30	13	8	100
JCT05032000M8	JCT05032000O9	JCT05032000M0	M32 x 1,5	37	13,5	8	100
JCT05040000M8	JCT05040000O9	JCT05040000M0	M40 x 1,5	46	14	8	50
JCT05050000M8	JCT05050000O9	JCT05050000M0	M50 x 1,5	56	16,5	10	50
JCT05063000M8	JCT05063000O9	JCT05063000M0	M63 x 1,5	70	17	12	50



MATERIAL

PA6-CV30% (Glass-filled polyamide)

COLOUR

G5 Grey RAL 7035

PROTECTION GRADE

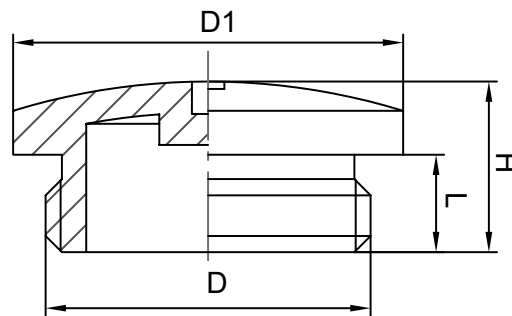
IP54

SELF-EXTINGUISHING

HB (UL 94)

OPERATING TEMPERATURE

-40°C ÷ 100°C

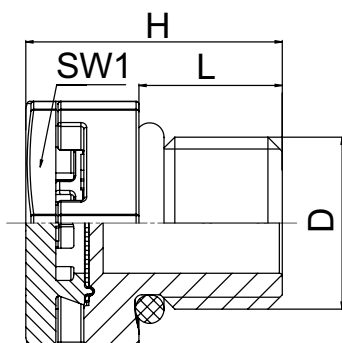


Code G5	D	D1	H	L	Package (pcs)
JCT06007000M8	PG7	15	10	6	100
JCT06009000M8	PG9	19	10	6	100
JCT06011000M8	PG11	22	10	6	100
JCT06013000M8	PG13,5	25	10	6	100
JCT06016000M8	PG16	27	10	6	100
JCT06021000M8	PG21	33	12,5	8	100
JCT06029000M8	PG29	44,5	13	8	100
JCT06036000M8	PG36	55,5	15	10	50
JCT06042000M8	PG42	62,5	15,5	10	50
JCT06048000M8	PG48	69,5	17	12	50

- 1
- 2
- 3
- 4
- 5
- 6
- 7
- 8
- 9
- 10
- 11
- 12
- 13
- 14
- 15
- 16
- 17
- 18
- 19
- 20
- 21



1
2
3
4
5
6
7
8
9
10
11
12
13
14
15
16
17
18
19
20
21



MATERIAL

Body: PA6 (Polyamide)
Diaphragm: PES (Polyethersulfone)
O-ring: NBR (Nitrile rubber)

COLOUR

G5 Grey RAL 7035
N5 Black RAL 9005

PROTECTION GRADE

IP66
IP68 - 0,6 bar (60 min)
IP69

SELF-EXTINGUISHING

UL 94 V-0

AIR PASSAGE

> 400 ml / min / cm² a Δp = 0,07 bar

WATER PASSAGE

≥ 0,83 bar (30 sec)

OPERATING TEMPERATURE

-40°C ÷ 100°C

USE

Protection for electro-technical and electronic enclosures against condensation due to temperature and pressure variations.

NOTES

Ventilation and continuous adaptation to the internal pressure.
The venting element does not work if blocked by dust or submerged in water.



Code G5	Code N5	D	H	L	SW1	Package (pcs)
JCT12012000M8	JCT12012000M0	M12 x 1,5	17,8	10	17	100
JCT12020000M8	JCT12020000M0	M20 x 1,5	21,6	10	27	10
JCT12040000M8	JCT12040000M0	M40 x 1,5	35,6	18	50	5



MATERIAL - SURFACE TREATMENT

Body: OT58 (Brass) nickel-plated
Insert: PA6 (Polyamide)
Sealing ring: CR/NBR (Nitrile chloroprene)
O-ring: NBR (Nitrile rubber)

PROTECTION GRADE

IP68 - 5 bar
 IP69K (tested for M12 - M25 - M50 - M63)

SELF-EXTINGUISHING

UL 94 V-2

OPERATING TEMPERATURE

-20°C ÷ 100°C

CERTIFICATION

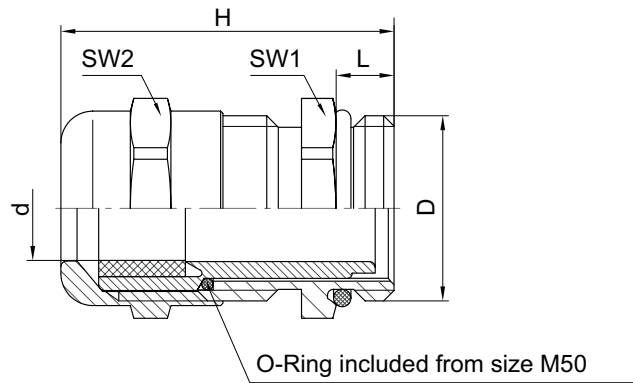
VDE 40020901

UL/CSA-FILE

E140310

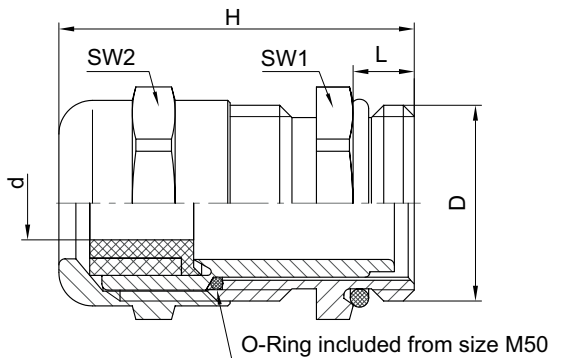
STANDARD TEST

EN 62444 / UL 514B



Code	D	d	H	L	Properties	SW1	SW2	Package (pcs)
JCR0301203C08	M12 x 1,5	3 ÷ 6	25	5	Standard thread	14	14	100
JCR0301605C08	M16 x 1,5	5 ÷ 9	30	5	Standard thread	17	17	100
JCR0302009C08	M20 x 1,5	9 ÷ 13	33,5	6	Standard thread	22	22	100
JCR0302511C08	M25 x 1,5	11 ÷ 16	36,5	7	Standard thread	27	27	50
JCR0303214C08	M32 x 1,5	14 ÷ 20	38	8	Standard thread	34	34	25
JCR0304019C08	M40 x 1,5	19 ÷ 27	41	8	Standard thread	43	43	10
JCR0305024C08	M50 x 1,5	24 ÷ 35	49,5	9	Standard thread	55	55	5
JCR0306332C08	M63 x 1,5	32 ÷ 42	52,5	10	Standard thread	65	65	5
JCR0306338C08	M63 x 1,5	38 ÷ 48	52,5	10	Standard thread	65	65	5
JCR0301203L08	M12 x 1,5	3 ÷ 6	30	10	Long thread	14	14	100
JCR0301605L08	M16 x 1,5	5 ÷ 9	35	10	Long thread	17	17	100
JCR0302009L08	M20 x 1,5	9 ÷ 13	37,5	10	Long thread	22	22	100
JCR0302511L08	M25 x 1,5	11 ÷ 16	40,5	11	Long thread	27	27	50
JCR0303214L08	M32 x 1,5	14 ÷ 20	43	13	Long thread	34	34	25
JCR0304019L08	M40 x 1,5	19 ÷ 27	46	13	Long thread	43	43	10
JCR0305024L08	M50 x 1,5	24 ÷ 35	54,5	14	Long thread	55	55	5
JCR0306332L08	M63 x 1,5	32 ÷ 42	56,5	14	Long thread	65	65	5
JCR0306338L08	M63 x 1,5	38 ÷ 48	56,5	14	Long thread	65	65	5

- 1
- 2
- 3
- 4
- 5
- 6
- 7
- 8
- 9
- 10
- 11
- 12
- 13
- 14
- 15
- 16
- 17
- 18
- 19
- 20
- 21



MATERIAL - SURFACE TREATMENT

Body: OT58 (Brass) nickel-plated
Insert: PA6 (Polyamide)
Sealing ring: CR/NBR (Nitrile chloroprene)
O-ring: NBR (Nitrile rubber)

PROTECTION GRADE

IP68 - 5 bar
 IP69K (tested for M12 - M25 - M50 - M63)

SELF-EXTINGUISHING

UL 94 V-2

OPERATING TEMPERATURE

-20°C ÷ 100°C

CERTIFICATION

VDE 40020901

UL/CSA-FILE

E140310

STANDARD TEST

EN 62444 / UL 514B



NOTES

*One-piece retaining ring.

Code	D	d	H	L	SW1	SW2	Package (pcs)
JCR0901202008 *	M12 x 1,5	2 ÷ 5	25	5	14	14	100
JCR0901603008	M16 x 1,5	3 ÷ 9	30	5	17	17	100
JCR0902005008	M20 x 1,5	5 ÷ 13	33,5	6	22	22	100
JCR0902508008	M25 x 1,5	8 ÷ 16	36,5	7	27	27	50
JCR0903212008	M32 x 1,5	12 ÷ 20	38	8	34	34	25
JCR0904016008	M40 x 1,5	16 ÷ 27	41	8	43	43	10
JCR0905021008	M50 x 1,5	21 ÷ 35	49,5	9	55	55	5
JCR0906327008	M63 x 1,5	27 ÷ 48	52,5	10	65	65	5



MATERIAL - SURFACE TREATMENT

Body: OT58 (Brass) nickel-plated
Insert: PA6 (Polyamide)
Sealing ring: TPE (Thermoplastic elastomer)
O-ring: NBR (Nitrile rubber)

PROTECTION GRADE

IP65

SELF-EXTINGUISHING

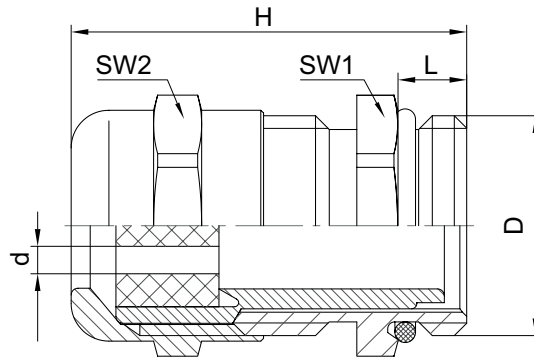
UL 94 V-2

OPERATING TEMPERATURE

-20°C ÷ 100°C

ACCESSORIES

Multi-hole sealing rings



Code	D	no. of Holes x d	H	L	SW1	SW2	Package (pcs)
JCR1601221608	M12 x 1,5	2 x 1,6	25	5	14	14	100
JCR1601624008	M16 x 1,5	2 x 4	30	5	17	17	100
JCR1602024008	M20 x 1,5	2 x 4	33,5	6	22	22	100
JCR1602526008	M25 x 1,5	2 x 6	36,5	7	27	27	50
JCR1603228008	M32 x 1,5	2 x 8	38	8	34	34	25
JCR160404A008	M40 x 1,5	4 x 10	41	8	43	43	10

1
2
3
4
5
6
7
8
9
10
11
12
13
14
15
16
17
18
19
20
21



MATERIAL - SURFACE TREATMENT

Body: OT58 (Brass) nickel-plated
Insert: PA6 (Polyamide)
Sealing ring: CR/NBR (Nitrile chloroprene)
O-ring: NBR (Nitrile rubber)

PROTECTION GRADE

IP68 - 5 bar
 IP69K (tested for M12 - M25 - M50 - M63)

SELF-EXTINGUISHING

UL 94 V-2

OPERATING TEMPERATURE

-20°C ÷ 100°C

CERTIFICATION

VDE 40020901

UL/CSA-FILE

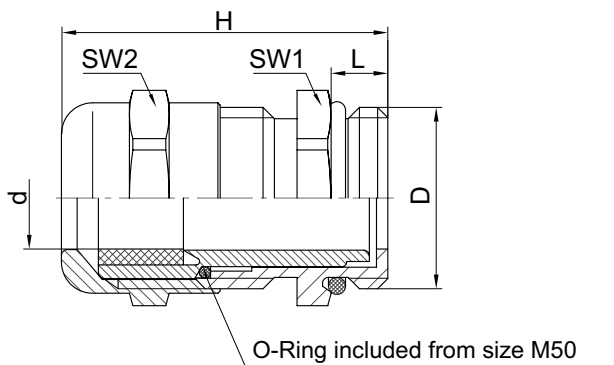
E140310

STANDARD TEST

EN 62444 / UL 514B

USE

For shielded cables



Code	D	d	H	L	Properties	SW1	SW2	Package (pcs)
JCR2801203C08	M12 x 1,5	3 ÷ 6	25	5	Standard thread	14	14	100
JCR2801605C08	M16 x 1,5	5 ÷ 9	30	5	Standard thread	17	17	100
JCR2802009C08	M20 x 1,5	9 ÷ 13	33,5	6	Standard thread	22	22	100
JCR2802511C08	M25 x 1,5	11 ÷ 16	36,5	7	Standard thread	27	27	50
JCR2803214C08	M32 x 1,5	14 ÷ 20	38	8	Standard thread	34	34	25
JCR2804019C08	M40 x 1,5	19 ÷ 27	41	8	Standard thread	43	43	10
JCR2805024C08	M50 x 1,5	24 ÷ 35	49,5	9	Standard thread	55	55	5
JCR2806332C08	M63 x 1,5	32 ÷ 42	52,5	10	Standard thread	65	65	5
JCR2806338C08	M63 x 1,5	38 ÷ 48	52,5	10	Standard thread	65	65	5
JCR2801203L08	M12 x 1,5	3 ÷ 6	30	10	Long thread	14	14	100
JCR2801605L08	M16 x 1,5	5 ÷ 9	35	10	Long thread	17	17	100
JCR2802009L08	M20 x 1,5	9 ÷ 13	37,5	10	Long thread	22	22	100
JCR2802511L08	M25 x 1,5	11 ÷ 16	40,5	11	Long thread	27	27	50
JCR2803214L08	M32 x 1,5	14 ÷ 20	43	13	Long thread	34	34	25
JCR2804019L08	M40 x 1,5	19 ÷ 27	46	13	Long thread	43	43	10
JCR2805024L08	M50 x 1,5	24 ÷ 35	54,5	14	Long thread	55	55	5
JCR2806332L08	M63 x 1,5	32 ÷ 42	56,5	14	Long thread	65	65	5
JCR2806338L08	M63 x 1,5	38 ÷ 48	56,5	14	Long thread	65	65	5



MATERIAL - SURFACE TREATMENT

Body: OT58 (Brass) nickel-plated
Insert: PA6 (Polyamide)
Sealing ring: CR/NBR (Nitrile chloroprene)
Spring: Stainless steel
O-ring: NBR (Nitrile rubber)

PROTECTION GRADE

IP68

SELF-EXTINGUISHING

UL 94 V-2

OPERATING TEMPERATURE

-20°C ÷ 100°C

UL/CSA-FILE

E140310

STANDARD TEST

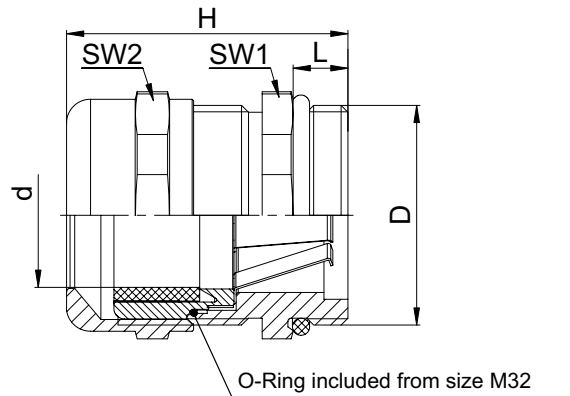
UL 514B

USE

For shielded cables

NOTES

With contact spring to make installation quicker



Code	D	d	H	L	Properties	SW1	SW2	Package (pcs)
JCR3101605C08	M16 x 1,5	5 ÷ 9	30	5	Standard thread	17	17	100
JCR3102009C08	M20 x 1,5	9 ÷ 13	33,5	6	Standard thread	22	22	100
JCR3102511C08	M25 x 1,5	11 ÷ 16	36,5	7	Standard thread	27	27	50
JCR3103214C08	M32 x 1,5	14 ÷ 20	38	8	Standard thread	34	34	25
JCR3104019C08	M40 x 1,5	19 ÷ 27	41	8	Standard thread	43	43	10
JCR3105024C08	M50 x 1,5	24 ÷ 35	49,5	9	Standard thread	55	55	5
JCR3106332C08	M63 x 1,5	32 ÷ 42	52,5	10	Standard thread	65	65	5
JCR3101605L08	M16 x 1,5	5 ÷ 9	35	10	Long thread	17	17	100
JCR3102009L08	M20 x 1,5	9 ÷ 13	37,5	10	Long thread	22	22	100
JCR3102511L08	M25 x 1,5	11 ÷ 16	40,5	11	Long thread	27	27	50
JCR3103214L08	M32 x 1,5	14 ÷ 20	43	13	Long thread	34	34	25
JCR3104019L08	M40 x 1,5	19 ÷ 27	46	13	Long thread	43	43	10

1
2
3
4
5
6
7
8
9
10
11
12
13
14
15
16
17
18
19
20
21



MATERIAL - SURFACE TREATMENT

Body: OT58 (Brass) nickel-plated
Insert: PA6 (Polyamide)
Sealing ring: CR/NBR (Nitrile chloroprene)
O-ring: NBR (Nitrile rubber)

PROTECTION GRADE

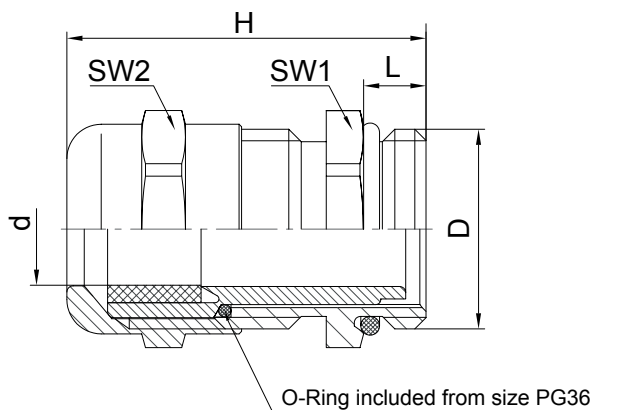
IP68 - 5 bar

SELF-EXTINGUISHING

UL 94 V-2

OPERATING TEMPERATURE

-20°C ÷ 100°C



Code	D	d	H	L	Properties	SW1	SW2	Package (pcs)
JCR0100703C08	PG7	3 ÷ 6,5	24	5	Standard thread	14	14	100
JCR0100904C08	PG9	4 ÷ 8	29	6	Standard thread	17	17	100
JCR0101105C08	PG11	5 ÷ 10	29,5	6	Standard thread	20	20	50
JCR0101306C08	PG13,5	6 ÷ 12	31,5	6,5	Standard thread	22	22	50
JCR0101610C08	PG16	10 ÷ 14	31,5	6,5	Standard thread	24	24	50
JCR0102113C08	PG21	13 ÷ 18	34	7	Standard thread	30	30	50
JCR0102918C08	PG29	18 ÷ 25	39	8	Standard thread	40	40	25
JCR0103624C08	PG36	24 ÷ 32	45	9	Standard thread	50	50	10
JCR0104230C08	PG42	30 ÷ 38	49	10	Standard thread	57	57	5
JCR0104834C08	PG48	34 ÷ 44	52	10	Standard thread	64	64	5
JCR0100703L08	PG7	3 ÷ 6,5	34	15	Long thread	14	14	100
JCR0100904L08	PG9	4 ÷ 8	38	15	Long thread	17	17	100
JCR0101105L08	PG11	5 ÷ 10	38,5	15	Long thread	20	20	50
JCR0101306L08	PG13,5	6 ÷ 12	40	15	Long thread	22	22	50
JCR0101610L08	PG16	10 ÷ 14	40	15	Long thread	24	24	50
JCR0102113L08	PG21	13 ÷ 18	42	15	Long thread	30	30	50
JCR0102918L08	PG29	18 ÷ 25	46	15	Long thread	40	40	25



MATERIAL - SURFACE TREATMENT

Body: OT58 (Brass) nickel-plated
Insert: PA6 (Polyamide)
Sealing ring: CR/NBR (Nitrile chloroprene)
O-ring: NBR (Nitrile rubber)

PROTECTION GRADE

IP68 - 5 bar

SELF-EXTINGUISHING

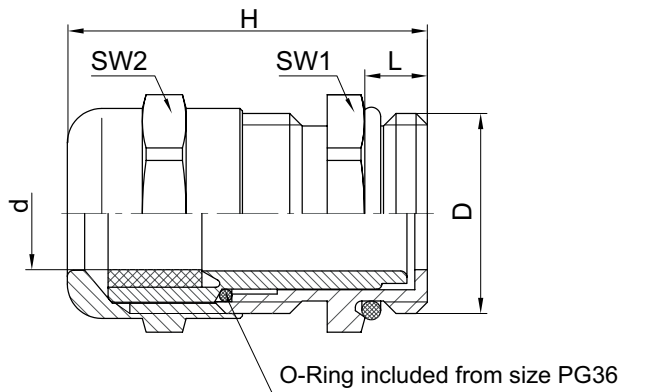
UL 94 V-2

OPERATING TEMPERATURE

-20°C ÷ 100°C

USE

For shielded cables



Code	D	d	H	L	SW1	SW2	Package (pcs)
JCR2700703008	PG7	3 ÷ 6,5	24	5	14	14	100
JCR2700904008	PG9	4 ÷ 8	29	6	17	17	100
JCR2701105008	PG11	5 ÷ 10	29,5	6	20	20	100
JCR2701306008	PG13,5	6 ÷ 12	31,5	6,5	22	22	50
JCR2701610008	PG16	10 ÷ 14	31,5	6,5	24	24	50
JCR2702113008	PG21	13 ÷ 18	34	7	30	30	25
JCR2702918008	PG29	18 ÷ 25	39	8	40	40	25
JCR2703624008	PG36	24 ÷ 32	45	9	50	50	10
JCR2704230008	PG42	30 ÷ 38	49	10	57	57	5
JCR2704834008	PG48	34 ÷ 44	52	10	64	64	5

- 1
- 2
- 3
- 4
- 5
- 6
- 7
- 8
- 9
- 10
- 11
- 12
- 13
- 14
- 15
- 16
- 17
- 18
- 19
- 20
- 21



MATERIAL

Body: AISI303 (Stainless steel)
Insert: PA6 (Polyamide)
Sealing ring: CR/NBR (Nitrile chloroprene)
O-ring: NBR (Nitrile rubber)

PROTECTION GRADE

IP68 - 5 bar
IP69K (tested for M12 - M25 - M50 - M63)

SELF-EXTINGUISHING

UL 94 V-2

OPERATING TEMPERATURE

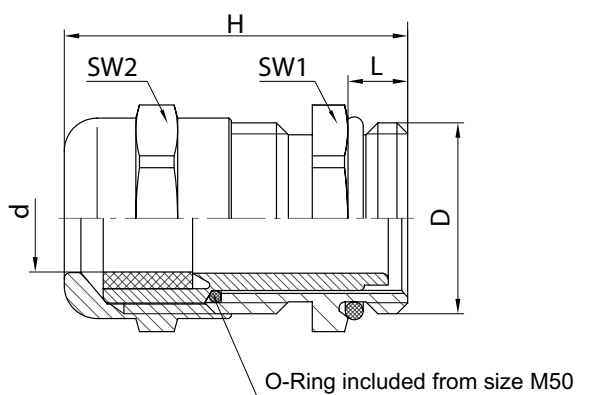
-20°C ÷ 100°C

UL/CSA-FILE

E140310

STANDARD TEST

UL 514B



Code	D	d	H	L	SW1	SW2	Package (pcs)
JCR0201203000	M12 x 1,5	3 ÷ 6	25	5	14	14	50
JCR0201605000	M16 x 1,5	5 ÷ 9	30	5	17	17	50
JCR0202009000	M20 x 1,5	9 ÷ 13	33,5	6	22	22	50
JCR0202511000	M25 x 1,5	11 ÷ 16	36,5	7	27	27	50
JCR0203214000	M32 x 1,5	14 ÷ 20	38	8	34	34	25
JCR0204019000	M40 x 1,5	19 ÷ 27	41	8	43	43	10
JCR0205024000	M50 x 1,5	24 ÷ 35	49,5	9	55	55	5
JCR0206332000	M63 x 1,5	32 ÷ 42	52,5	10	65	65	5



MATERIAL

Body: AISI303 (Stainless steel)
Insert: PA6 (Polyamide)
Sealing ring: CR/NBR (Nitrile chloroprene)
O-ring: NBR (Nitrile rubber)

PROTECTION GRADE

IP68
IP69K (tested for M16 - M25)

SELF-EXTINGUISHING

UL 94 V-2

OPERATING TEMPERATURE

-20°C ÷ 100°C

UL/CSA-FILE

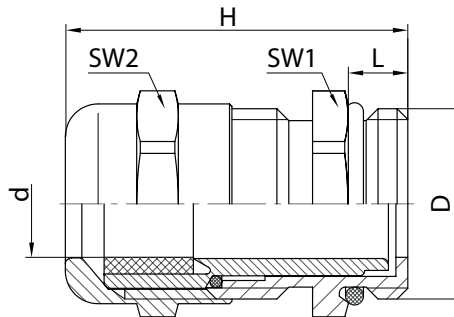
E140310

STANDARD TEST

UL 514B

USE

For shielded cables



Code	D	d	H	L	SW1	SW2	Package (pcs)
JCR2901605000	M16 x 1,5	5 ÷ 9	30	5	17	17	100
JCR2902009000	M20 x 1,5	9 ÷ 13	33,5	6	22	22	100
JCR2902511000	M25 x 1,5	11 ÷ 16	36,5	7	27	27	50
JCR2903214000	M32 x 1,5	14 ÷ 20	38	8	34	34	25

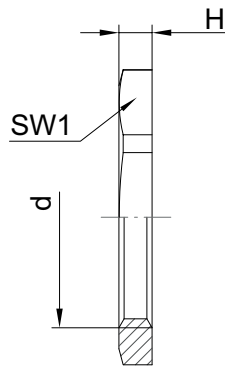
1
2
3
4
5
6
7
8
9
10
11
12
13
14
15
16
17
18
19
20
21



MATERIAL
OT58 (Brass)

SURFACE TREATMENT
Nickel-plated

OPERATING TEMPERATURE
-60°C ÷ 200°C



Code	d	H	SW1	Package (pcs)
JCD0801200008	M12 x 1,5	2,8	15	100
JCD0801600008	M16 x 1,5	2,8	19	100
JCD0802000008	M20 x 1,5	3	24	100
JCD0802500008	M25 x 1,5	3,5	30	100
JCD0803200008	M32 x 1,5	4	36	100
JCD0804000008	M40 x 1,5	5	46	50
JCD0805000008	M50 x 1,5	5	60	50
JCD0806300008	M63 x 1,5	6	70	50

1
2
3
4
5
6
7
8
9
10
11
12
13
14
15
16
17
18
19
20
21



MATERIAL

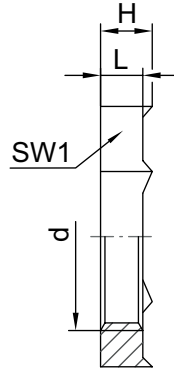
Lead-free brass, nickel plated

SURFACE TREATMENT

Nickel-plated

OPERATING TEMPERATURE

-60°C ÷ 200°C



Code	d	H	L	SW1	Package (pcs)
JCD1201200008	M12 x 1,5	3,5	2,8	15	100
JCD1201600008	M16 x 1,5	3,5	2,8	19	100
JCD1202000008	M20 x 1,5	3,7	3	24	100
JCD1202500008	M25 x 1,5	4,2	3,5	30	100
JCD1203200008	M32 x 1,5	4,7	4	36	100
JCD1204000008	M40 x 1,5	5,7	5	46	50
JCD1205000008	M50 x 1,5	5,7	5	60	50
JCD1206300008	M63 x 1,5	6,7	6	70	50

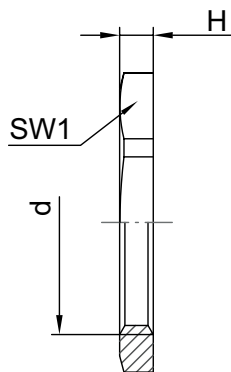
- 1
- 2
- 3
- 4
- 5
- 6
- 7
- 8
- 9
- 10
- 11
- 12
- 13
- 14
- 15
- 16
- 17
- 18
- 19
- 20
- 21



MATERIAL
OT58 (Brass)

SURFACE TREATMENT
Nickel-plated

OPERATING TEMPERATURE
-60°C ÷ 200°C



Code	d	H	SW1	Package (pcs)
JCD0100700008	PG7	2,8	15	100
JCD0100900008	PG9	2,8	18	100
JCD0101100008	PG11	3	21	100
JCD0101300008	PG13,5	3	23	100
JCD0101600008	PG16	3	26	100
JCD0102100008	PG21	3,5	32	100
JCD0102900008	PG29	4	41	100
JCD0103600008	PG36	5	51	50
JCD0104200008	PG42	5	60	50
JCD0104800008	PG48	5,5	64	50

- 1
- 2
- 3
- 4
- 5
- 6
- 7
- 8
- 9
- 10
- 11
- 12
- 13
- 14
- 15
- 16
- 17
- 18
- 19
- 20
- 21

**MATERIAL**

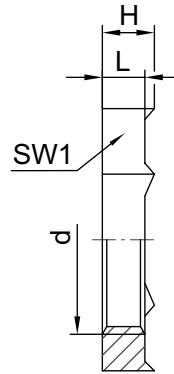
OT58 (Brass)

SURFACE TREATMENT

Nickel-plated

OPERATING TEMPERATURE

-60°C ÷ 200°C



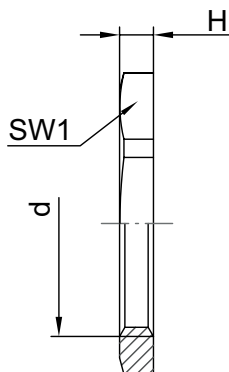
Code	d	H	L	SW1	Package (pcs)
JCD1100700008	PG7	4,7	3,7	15	100
JCD1100900008	PG9	4,7	3,7	18	100
JCD1101100008	PG11	4,7	3,7	21	100
JCD1101300008	PG13,5	4,7	3,7	23	100
JCD1101600008	PG16	4,7	3,7	26	100
JCD1102100008	PG21	5,2	4,2	32	100
JCD1102900008	PG29	5,7	4,7	41	100
JCD1103600008	PG36	6	5	51	50
JCD1104200008	PG42	6	5	60	50
JCD1104800008	PG48	6,5	5,5	64	50

- 1
- 2
- 3
- 4
- 5
- 6
- 7
- 8
- 9
- 10
- 11
- 12
- 13
- 14
- 15
- 16
- 17
- 18
- 19
- 20
- 21



MATERIAL
AISI303 (Stainless steel)

OPERATING TEMPERATURE
-60°C ÷ 200°C



Code	d	H	SW1	Package (pcs)
JCD0701200000	M12 x 1,5	2,8	14	50
JCD0701600000	M16 x 1,5	2,8	19	50
JCD0702000000	M20 x 1,5	3	24	50
JCD0702500000	M25 x 1,5	3,5	30	50
JCD0703200000	M32 x 1,5	4	36	25
JCD0704000000	M40 x 1,5	5	46	10
JCD0705000000	M50 x 1,5	5	60	5
JCD0706300000	M63 x 1,5	6	70	5

1
2
3
4
5
6
7
8
9
10
11
12
13
14
15
16
17
18
19
20
21



MATERIAL - SURFACE TREATMENT

Body: OT58 (Brass) nickel-plated

O-ring: NBR (Nitrile rubber)

PROTECTION GRADE

IP68 - 5 bar

OPERATING TEMPERATURE

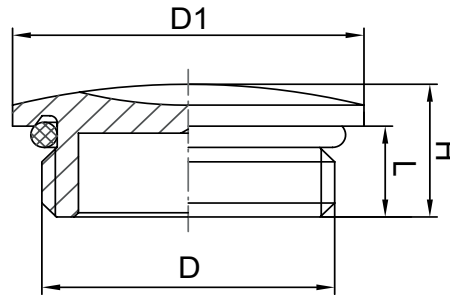
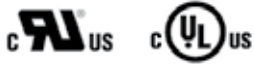
-40°C ÷ 100°C

UL/CSA-FILE

E140310

STANDARD TEST

UL 514B



Code	D	D1	H	L	Package (pcs)
JCT0301200008	M12 x 1,5	16	8	5	100
JCT0301600008	M16 x 1,5	20	9	6	100
JCT0302000008	M20 x 1,5	24	9,5	6,5	100
JCT0302500008	M25 x 1,5	28	11	7	100
JCT0303200008	M32 x 1,5	35	12	8	50
JCT0304000008	M40 x 1,5	45	12	8	50
JCT0305000008	M50 x 1,5	55	15	9	25
JCT0306300008	M63 x 1,5	68	16	10	10

- 1
- 2
- 3
- 4
- 5
- 6
- 7
- 8
- 9
- 10
- 11
- 12
- 13
- 14
- 15
- 16
- 17
- 18
- 19
- 20
- 21



MATERIAL - SURFACE TREATMENT

Body: OT58 (Brass) nickel-plated

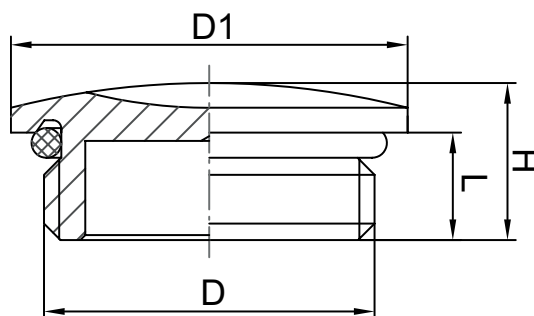
O-ring: NBR (Nitrile rubber)

PROTECTION GRADE

IP68 - 5 bar

OPERATING TEMPERATURE

-40°C ÷ 100°C



Code	D	D1	H	L	Package (pcs)
JCT0400700008	PG7	16	7	4,5	100
JCT0400900008	PG9	19	8	4,5	100
JCT0401100008	PG11	22	8	4,5	100
JCT0401300008	PG13,5	24	10	6	100
JCT0401600008	PG16	26	10	6	100
JCT0402100008	PG21	32	10	6,5	100
JCT0402900008	PG29	39	12	8	50
JCT0403600008	PG36	50	15	9	25
JCT0404200008	PG42	57	16	10	25
JCT0404800008	PG48	64	16	10	10

1
2
3
4
5
6
7
8
9
10
11
12
13
14
15
16
17
18
19
20
21



MATERIAL - SURFACE TREATMENT

Body: OT58 (Brass) nickel-plated

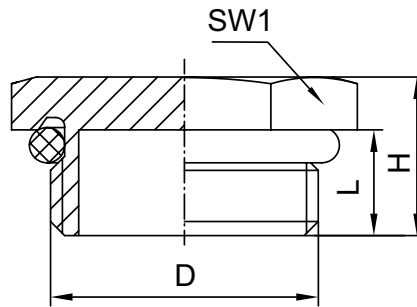
O-ring: NBR (Nitrile rubber)

PROTECTION GRADE

IP68 - 5 bar

OPERATING TEMPERATURE

-40°C ÷ 100°C



Code	D	H	L	SW1	Package (pcs)
JCT0901200008	M12 x 1,5	7,5	5	14	100
JCT0901600008	M16 x 1,5	8	5	18	100
JCT0902000008	M20 x 1,5	9	6	22	100
JCT0902500008	M25 x 1,5	10	6,5	28	100
JCT0903200008	M32 x 1,5	10,5	7	35	50
JCT0904000008	M40 x 1,5	12	8	44	50

- 1
- 2
- 3
- 4
- 5
- 6
- 7
- 8
- 9
- 10
- 11
- 12
- 13
- 14
- 15
- 16
- 17
- 18
- 19
- 20
- 21



MATERIAL

Body: AISI303 (Stainless steel)
Diaphragm: PES (Polyethersulfone)
O-ring: NBR (Nitrile rubber)

PROTECTION GRADE

IP66
IP68 - 0,6 bar (60 min)
IP69

AIR PASSAGE

> 400 ml / min / cm² a $\Delta p = 0,07$ bar

WATER PASSAGE

$\geq 0,83$ bar (30 sec)

OPERATING TEMPERATURE

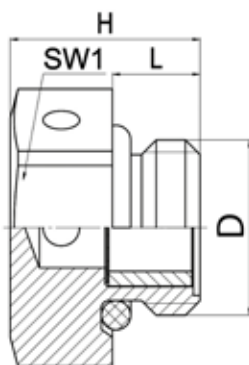
-40°C ÷ 100°C

USE

Protection for electro-technical and electronic enclosures against condensation due to temperature and pressure variations.

NOTES

Ventilation and continuous adaptation to the internal pressure. The venting element does not work if blocked by dust or submerged in water.



Code	D	H	L	SW1	Package (pcs)
JCT1301200000	M12 x 1,5	13	6	17	25
JCT1302000000	M20 x 1,5	13	6	24	10
JCT1304000000	M40 x 1,5	18	8	45	5

1
2
3
4
5
6
7
8
9
10
11
12
13
14
15
16
17
18
19
20
21



MATERIAL

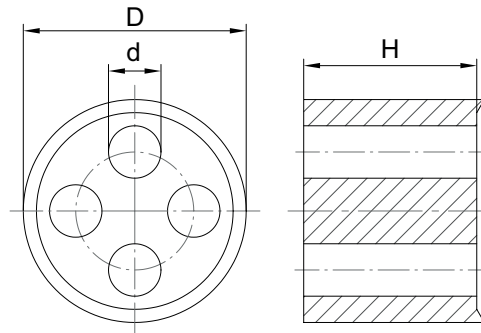
TPE (Thermoplastic elastomer)

COLOUR

NE Black

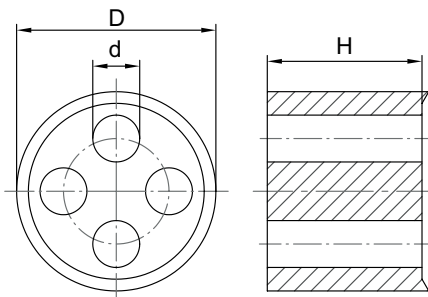
OPERATING TEMPERATURE

-30°C ÷ 100°C



Code NE	Measure	no. of Holes x d	D	H	Package (pcs)
JCG01012216N8	M12	2 x 1,6	8,5	6,6	50
JCG01012323N8	M12	3 x 2,3	8,5	6,6	50
JCG01012420N8	M12	4 x 2	8,5	6,6	50
JCG01016240N8	M16	2 x 4	11,7	7,6	50
JCG01016245N8	M16	2 x 4,5	11,7	7,6	50
JCG01016423N8	M16	4 x 2,3	11,7	7,6	50
JCG01016435N8	M16	4 x 3,5	11,7	7,6	50
JCG01020240N8	M20	2 x 4	15,1	7,5	50
JCG01020260N8	M20	2 x 6	15,1	7,5	50
JCG01020450N8	M20	4 x 5	15,1	7,5	50
JCG01025260N8	M25	2 x 6	19,8	9,3	50
JCG01025280N8	M25	2 x 8	19,8	9,3	50
JCG01025340N8	M25	3 x 4	19,8	9,3	50
JCG01025360N8	M25	3 x 6	19,8	9,3	50
JCG01025370N8	M25	3 x 7	19,8	9,3	50
JCG01025450N8	M25	4 x 5	19,8	9,3	50
JCG01025460N8	M25	4 x 6	19,8	9,3	50
JCG01025465N8	M25	4 x 6,5	19,8	9,3	50
JCG01025540N8	M25	5 x 4	19,8	9,3	50
JCG01025640N8	M25	6 x 4	19,8	9,3	50
JCG01032280N8	M32	2 x 8	25,1	12,5	25
JCG01032380N8	M32	3 x 8	25,1	12,5	25
JCG01032470N8	M32	4 x 7	25,1	12,5	25
JCG01032480N8	M32	4 x 8	25,1	12,5	25
JCG01032485N8	M32	4 x 8,5	25,1	12,5	25
JCG01032640N8	M32	6 x 4	25,1	12,5	25
JCG01032660N8	M32	6 x 6	25,1	12,5	25
JCG010404A0N8	M40	4 x 10	32,3	15	10
JCG01040585N8	M40	5 x 8,5	32,3	15	10
JCG01040865N8	M40	8 x 6,5	32,3	15	10

- 1
- 2
- 3
- 4
- 5
- 6
- 7
- 8
- 9
- 10
- 11
- 12
- 13
- 14
- 15
- 16
- 17
- 18
- 19
- 20
- 21

**MATERIAL**

TPE (Thermoplastic elastomer)

COLOUR

Black

OPERATING TEMPERATURE

-30°C ÷ 100°C

Code 	Measure	no. of Holes x d	D	H	Package (pcs)
JCG02009230N8	PG9	2 x 3	10,6	7,5	10
JCG02009235N8	PG9	2 x 3,5	10,6	7,5	10
JCG02009320N8	PG9	3 x 2	10,6	7,5	10
JCG02009335N8	PG9	3 x 3,5	10,6	7,5	10
JCG02009420N8	PG9	4 x 2	10,6	7,5	10
JCG02009430N8	PG9	4 x 3	10,6	7,5	10
JCG02011230N8	PG11	2 x 3	13,3	8,5	10
JCG02011240N8	PG11	2 x 4	13,3	8,5	10
JCG02011245N8	PG11	2 x 4,5	13,3	8,5	10
JCG02011250N8	PG11	2 x 5	13,3	8,5	10
JCG02011330N8	PG11	3 x 3	13,3	8,5	10
JCG02011340N8	PG11	3 x 4	13,3	8,5	10
JCG02011350N8	PG11	3 x 5	13,3	8,5	10
JCG02011430N8	PG11	4 x 3	13,3	8,5	10
JCG02011727N8	PG11	7 x 2,7	13,3	8,5	10
JCG02013245N8	PG13,5	2 x 4,5	15,3	8,5	10
JCG02013250N8	PG13,5	2 x 5	15,3	8,5	10
JCG02013260N8	PG13,5	2 x 6	15,3	8,5	10
JCG02013340N8	PG13,5	3 x 4	15,3	8,5	10
JCG02013350N8	PG13,5	3 x 5	15,3	8,5	10
JCG02016240N8	PG16	2 x 4	17,4	9	10
JCG02016260N8	PG16	2 x 6	17,4	9	10
JCG02016340N8	PG16	3 x 4	17,4	9	10
JCG02016345N8	PG16	3 x 4,5	17,4	9	10
JCG02016350N8	PG16	3 x 5	17,4	9	10
JCG02016360N8	PG16	3 x 6	17,4	9	10
JCG02016365N8	PG16	3 x 6,5	17,4	9	10
JCG02016370N8	PG16	3 x 7	17,4	9	10
JCG02016440N8	PG16	4 x 4	17,4	9	10
JCG02016450N8	PG16	4 x 5	17,4	9	10
JCG02016460N8	PG16	4 x 6	17,4	9	10
JCG02016540N8	PG16	5 x 4	17,4	9	10
JCG02016175N8	PG16	1 x 7,5 / 1 x 5,5	17,4	9	10
JCG02021270N8	PG21	2 x 7	22,2	11	10
JCG02021280N8	PG21	2 x 8	22,2	11	10
JCG02021290N8	PG21	2 x 9	22,2	11	10
JCG02021370N8	PG21	3 x 7	22,2	11	10
JCG02021380N8	PG21	3 x 8	22,2	11	10
JCG02021450N8	PG21	4 x 5	22,2	11	10
JCG02021465N8	PG21	4 x 6,5	22,2	11	10
JCG02021470N8	PG21	4 x 7	22,2	11	10
JCG02021475N8	PG21	4 x 7,5	22,2	11	10
JCG02021550N8	PG21	5 x 5	22,2	11	10
JCG02029585N8	PG29	5 x 8,5	29,8	13	10
JCG02029650N8	PG29	6 x 5	29,8	13	10
JCG02029675N8	PG29	6 x 7,5	29,8	13	10
JCG02029850N8	PG29	8 x 5	29,8	13	10

MATERIAL

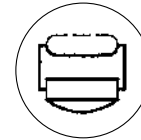
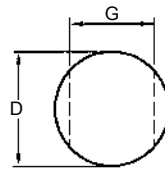
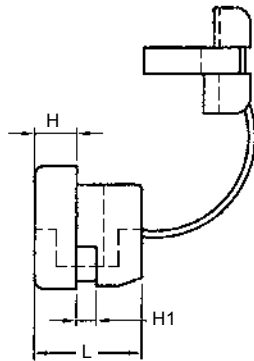
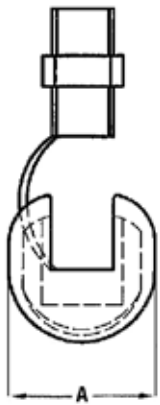
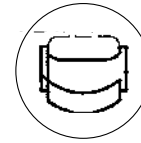
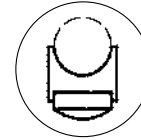
PA6.6 (Polyamide)

COLOUR

Black

SELF-EXTINGUISHING

UL 94 V-2


TYPE 1
FLAT CABLE

TYPE 2
FLAT CABLE

TYPE 3
ROUND CABLE

Code 	Type	Cable section	D	G	H1	A	L	H	Package (pcs)
KGS57002P04N8	1	3 x 5,6	9,5	8,7	0,8 ÷ 1,6	10,4	10,4	4	1.000
KGS57003P04N8	1	3 x 5,6	11	9,9	0,8 ÷ 1,6	11,5	10,4	4	1.000
KGS57003W01N8	1	3 x 5,6	11	9,9	1,9 ÷ 2,5	11,5	10,4	4	1.000
KGS57004N04N8	1	3,7 / 3,8 x 7,6	12,7 / 13,1	11,8	0,8 ÷ 1,6	13,3	10,4	4	1.000
KGS57004K04N8	1	3,7 / 3,8 x 7,6	12,7 / 13,1	11,8	1,9 ÷ 2,5	13,3	10,5	4	1.000
KGS57SB5F04N8	1	5 x 10	14,3	13,4	0,8 ÷ 1,6	15,5	15,4	6,2	1.000
KGS57SB5F06N8	1	5 x 10	14,3	13,4	1,8 ÷ 3,2	15,5	15,4	6,2	1000
KGS57SB6P44N8	2	3 x 7,6 / 4,1 x 10,4	15,9	14	2 ÷ 2,5	16,5	14,9	5,8	1.000
KGS57SB4F02N8	2	4,1 x 8,6	12,7	11,8	1,8 ÷ 2,5	14,0	12,4	4	1.000
KGS59007N02N8	3	ø 9,2 ÷ 11	19 / 19,8	16,5	0,8 ÷ 1,6	19,5	19,1	7,8	1.000
KGS59007P02N8	3	ø 9,2 ÷ 11	19 / 19,8	16,5	1,9 ÷ 3,2	19,5	19,4	7,8	1.000
KGS58002P01N8	3	ø 3 ÷ 4,7	9,5	8,4	0,8 ÷ 1,6	10,4	10,4	4	1.000
KGS58005N04N8	3	ø 6,4 ÷ 7,4	12,7 / 13,1	11,5	0,8 ÷ 1,6	13,5	10,9	4,2	1.000
KGS58005P04N8	3	ø 6,4 ÷ 7,4	12,7 / 13,1	11,5	1,9 ÷ 2,5	13,5	10,9	4,2	1.000
KGS58006N04N8	3	ø 7,6	15,9	14	0,8 ÷ 1,6	16,8	14,8	5,6	1.000
KGS58006P04N8	3	ø 7,6	15,9	14	1,9 ÷ 3,2	16,8	14,8	5,6	1.000
KGS5806N304N8	3	ø 8,2 ÷ 9,2	15,9	14	0,8 ÷ 1,6	16,2	15	5,6	1.000
KGS5806P304N8	3	ø 8,2 ÷ 9,2	15,9	14	1,9 ÷ 3,2	16,2	14,8	5,7	1.000
KGS58SB5R04N8	3	ø 8,2 ÷ 9,2 / 7,6	13,1 / 12,7	11,5	0,8 ÷ 1,6	13,4	10,9	4,2	1.000
KGS58SB6R06N8	3	ø 8,2 ÷ 9,2	15,9	14	0,8 ÷ 1,6	16,6	14,6	5,6	1.000
KGS58SB8R02N8	3	ø 13,5 ÷ 15,2	22	21,7	1,8 ÷ 2,5	22,6	20,4	8,4	1.000
KGS58SB9R02N8	3	ø 15,2 ÷ 16,3 / 17,5	28 ÷ 30,2	25,4	1,2 ÷ 7	27,5	25,2	10,6	1.000

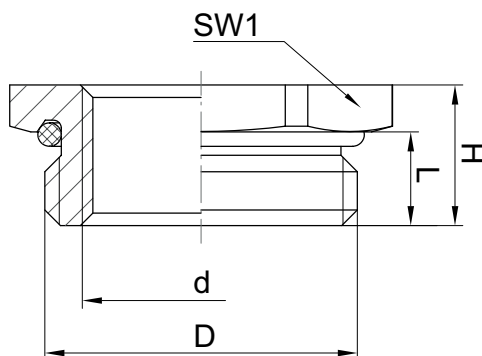
 1
2
3
4
5
6
7
8
9
10
11
12
13
14
15
16
17
18
19
20
21


MATERIAL - SURFACE TREATMENT
Body: OT58 (Brass) nickel-plated

O-ring: NBR (Nitrile rubber)

PROTECTION GRADE

IP68 max

OPERATING TEMPERATURE
 $-40^{\circ}\text{C} \div 100^{\circ}\text{C}$


Code	D	d	H	L	SW1	Package (pcs)
JCA0501601208	M16 x 1,5	M12 x 1,5	8	5	17	100
JCA0502001208	M20 x 1,5	M12 x 1,5	9	6	22	100
JCA0502001608	M20 x 1,5	M16 x 1,5	9	6	22	100
JCA0502501608	M25 x 1,5	M16 x 1,5	10	7	27	100
JCA0502502008	M25 x 1,5	M20 x 1,5	10	7	27	100
JCA0503201608	M32 x 1,5	M16 x 1,5	11	8	34	50
JCA0503202008	M32 x 1,5	M20 x 1,5	11	8	34	50
JCA0503202508	M32 x 1,5	M25 x 1,5	11	8	34	50
JCA0504002008	M40 x 1,5	M20 x 1,5	12	8	43	25
JCA0504002508	M40 x 1,5	M25 x 1,5	12	8	43	25
JCA0504003208	M40 x 1,5	M32 x 1,5	12	8	43	25
JCA0505002508	M50 x 1,5	M25 x 1,5	13	9	55	10
JCA0505003208	M50 x 1,5	M32 x 1,5	13	9	55	10
JCA0505004008	M50 x 1,5	M40 x 1,5	13	9	55	10
JCA0506303208	M63 x 1,5	M32 x 1,5	14	10	65	10
JCA0506304008	M63 x 1,5	M40 x 1,5	14	10	65	10
JCA0506305008	M63 x 1,5	M50 x 1,5	14	10	65	10



MATERIAL - SURFACE TREATMENT

Body: OT58 (Brass) nickel-plated

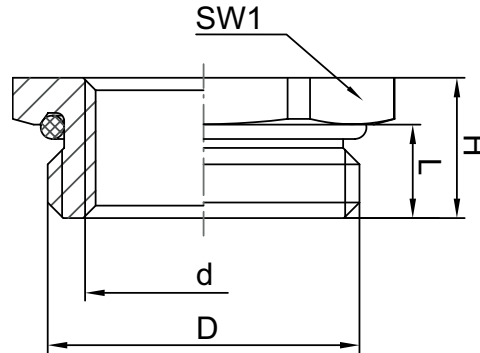
O-ring: NBR (Nitrile rubber)

PROTECTION GRADE

IP68 max

OPERATING TEMPERATURE

-40°C ÷ 100°C



Code	D	d	H	L	SW1	Package (pcs)
JCA0400900708	PG9	PG7	8,5	6	18	100
JCA0401100708	PG11	PG7	8,5	6	20	100
JCA0401100908	PG11	PG9	8,5	6	20	100
JCA0401300708	PG13,5	PG7	9,5	6,5	24	100
JCA0401300908	PG13,5	PG9	9,5	6,5	24	100
JCA0401301108	PG13,5	PG11	9,5	6,5	24	100
JCA0401600708	PG16	PG7	9,5	6,5	24	100
JCA0401600908	PG16	PG9	9,5	6,5	24	100
JCA0401601108	PG16	PG11	9,5	6,5	24	100
JCA0401601308	PG16	PG13,5	9,5	6,5	24	100
JCA0402101108	PG21	PG11	10	7	32	100
JCA0402101308	PG21	PG13,5	10	7	32	100
JCA0402101608	PG21	PG16	10	7	32	100
JCA0402901608	PG29	PG16	11,5	8	41	50
JCA0402902108	PG29	PG21	11,5	8	41	50
JCA0403602108	PG36	PG21	12,5	9	50	25
JCA0403602908	PG36	PG29	12,5	9	50	25
JCA0404203608	PG42	PG36	14	10	60	25

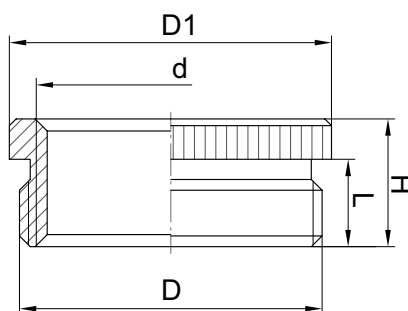
- 1
- 2
- 3
- 4
- 5
- 6
- 7
- 8
- 9
- 10
- 11
- 12
- 13
- 14
- 15
- 16
- 17
- 18
- 19
- 20
- 21



MATERIAL
OT58 (Brass)

SURFACE TREATMENT
Nickel-plated

OPERATING TEMPERATURE
-60°C ÷ 200°C



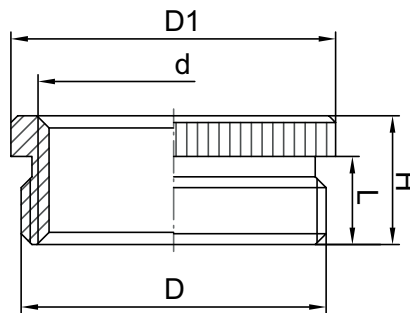
Code	D	d	D1	H	L	Package (pcs)
JCA0101601208	M16 x 1,5	M12 x 1,5	20	8,5	6	100
JCA0102001208	M20 x 1,5	M12 x 1,5	24	9	6,5	100
JCA0102001608	M20 x 1,5	M16 x 1,5	24	9	6,5	100
JCA0102501608	M25 x 1,5	M16 x 1,5	30	10	7	100
JCA0102502008	M25 x 1,5	M20 x 1,5	30	10	7	100
JCA0103202008	M32 x 1,5	M20 x 1,5	39	11,5	8	50
JCA0103202508	M32 x 1,5	M25 x 1,5	39	11,5	8	50
JCA0104002508	M40 x 1,5	M25 x 1,5	50	12,5	9	25
JCA0104003208	M40 x 1,5	M32 x 1,5	50	12,5	9	25
JCA0105003208	M50 x 1,5	M32 x 1,5	57	14	10	10
JCA0105004008	M50 x 1,5	M40 x 1,5	57	14	10	10
JCA0106304008	M63 x 1,5	M40 x 1,5	70	14	10	10
JCA0106305008	M63 x 1,5	M50 x 1,5	70	14	10	10



MATERIAL
OT58 (Brass)

SURFACE TREATMENT
Nickel-plated

OPERATING TEMPERATURE
-60°C ÷ 200°C



Code	D	d	D1	H	L	Package (pcs)
JCA0200900708	PG9	PG7	17	8,5	6	100
JCA0201100708	PG11	PG7	20	8,5	6	100
JCA0201100908	PG11	PG9	20	8,5	6	100
JCA0201300708	PG13,5	PG7	22	9	6,5	100
JCA0201300908	PG13,5	PG9	22	9	6,5	100
JCA0201301108	PG13,5	PG11	22	9	6,5	100
JCA0201600708	PG16	PG7	24	9,5	6,5	100
JCA0201600908	PG16	PG9	24	9,5	6,5	100
JCA0201601108	PG16	PG11	24	9,5	6,5	100
JCA0201601308	PG16	PG13,5	24	9,5	6,5	100
JCA0202101108	PG21	PG11	30	10	7	100
JCA0202101308	PG21	PG13,5	30	10	7	100
JCA0202101608	PG21	PG16	30	10	7	100
JCA0202901608	PG29	PG16	39	11,5	8	50
JCA0202902108	PG29	PG21	39	11,5	8	50
JCA0203602108	PG36	PG21	50	12,5	9	25
JCA0203602908	PG36	PG29	50	12,5	9	25
JCA0204202908	PG42	PG29	57	14	10	10
JCA0204203608	PG42	PG36	57	14	10	10
JCA0204803608	PG48	PG36	64	14	10	10
JCA0204804208	PG48	PG42	64	14	10	10

- 1
- 2
- 3
- 4
- 5
- 6
- 7
- 8
- 9
- 10
- 11
- 12
- 13
- 14
- 15
- 16
- 17
- 18
- 19
- 20
- 21



MATERIAL - SURFACE TREATMENT

Body: OT58 (Brass) nickel-plated

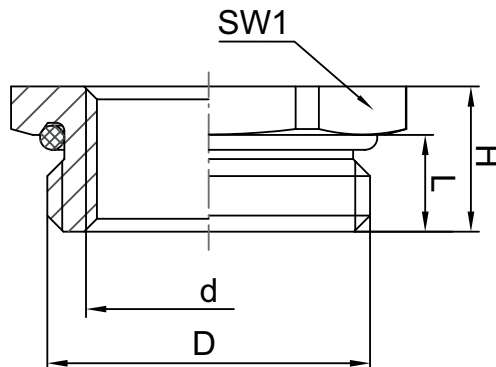
O-ring: NBR (Nitrile rubber)

PROTECTION GRADE

IP68 max

OPERATING TEMPERATURE

-40°C ÷ 100°C



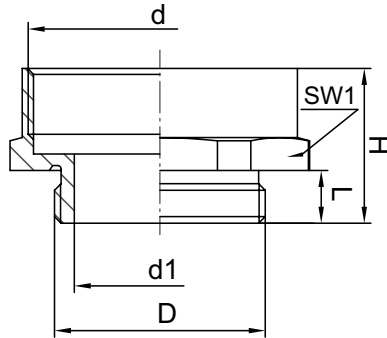
Code	D	d	H	L	SW1	Package (pcs)
JCA0301600708	M16 x 1,5	PG7	8	5	17	100
JCA0302000908	M20 x 1,5	PG9	9	6	22	100
JCA0302500908	M25 x 1,5	PG9	10	7	27	100
JCA0302501108	M25 x 1,5	PG11	10	7	27	100
JCA0302501308	M25 x 1,5	PG13,5	10	7	27	100
JCA0303201308	M32 x 1,5	PG13,5	11	8	34	50
JCA0303201608	M32 x 1,5	PG16	11	8	34	50
JCA0303202108	M32 x 1,5	PG21	11	8	34	50
JCA0304001608	M40 x 1,5	PG16	12	8	43	25
JCA0304002108	M40 x 1,5	PG21	12	8	43	25
JCA0304002908	M40 x 1,5	PG29	12	8	43	25
JCA0305002108	M50 x 1,5	PG21	13	9	55	25
JCA0305002908	M50 x 1,5	PG29	13	9	55	10
JCA0305003608	M50 x 1,5	PG36	13	9	55	10
JCA0306302908	M63 x 1,5	PG29	14	10	65	10
JCA0306303608	M63 x 1,5	PG36	14	10	65	10
JCA0306304208	M63 x 1,5	PG42	14	10	65	10



MATERIAL
OT58 (Brass)

SURFACE TREATMENT
Nickel-plated

OPERATING TEMPERATURE
-60°C ÷ 200°C



Code	D	d	d1	H	L	SW1	Package (pcs)
JCA1801201608	M12 x 1,5	M16 x 1,5	8	16	5	18	100
JCA1801602008	M16 x 1,5	M20 x 1,5	12	16,5	5	22	100
JCA1802002508	M20 x 1,5	M25 x 1,5	15	18,5	6	27	50
JCA1802503208	M25 x 1,5	M32 x 1,5	21	20,5	7	34	25
JCA1803204008	M32 x 1,5	M40 x 1,5	26	23,5	8	42	25
JCA1804005008	M40 x 1,5	M50 x 1,5	34	30	8	52	10
JCA1805006308	M50 x 1,5	M63 x 1,5	44	32,5	9	65	10

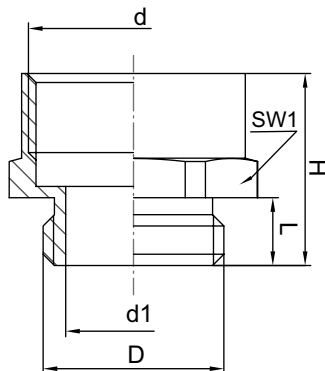
- 1
- 2
- 3
- 4
- 5
- 6
- 7
- 8
- 9
- 10
- 11
- 12
- 13
- 14
- 15
- 16
- 17
- 18
- 19
- 20
- 21



MATERIAL
OT58 (Brass)

SURFACE TREATMENT
Nickel-plated

OPERATING TEMPERATURE
-60°C ÷ 200°C



Code	D	d	d1	H	L	SW1	Package (pcs)
JCA1301200708	M12 x 1,5	PG7	8	16	6	14	100
JCA1301200908	M12 x 1,5	PG9	8,2	16,5	6	17	100
JCA1301601108	M16 x 1,5	PG11	12	17	6	20	100
JCA1302001108	M20 x 1,5	PG11	15	17,5	6,5	22	100
JCA1302001308	M20 x 1,5	PG13,5	16	19	6,5	22	100
JCA1302501608	M25 x 1,5	PG16	18,5	20,5	7	27	50
JCA1302502108	M25 x 1,5	PG21	21	22	7	30	50
JCA1303202908	M32 x 1,5	PG29	27,5	24,5	8	40	25
JCA1304002908	M40 x 1,5	PG29	32	24,5	8	43	25
JCA1305003608	M50 x 1,5	PG36	42	28,5	9	55	10
JCA1305004208	M50 x 1,5	PG42	44	31	9	57	5
JCA1306304808	M63 x 1,5	PG48	52,5	33	10	65	5

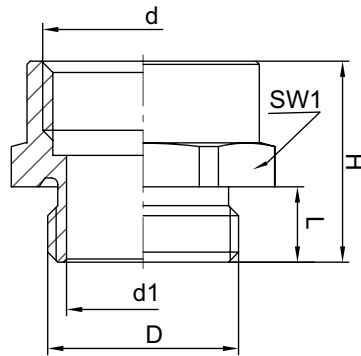
1
2
3
4
5
6
7
8
9
10
11
12
13
14
15
16
17
18
19
20
21



MATERIAL
OT58 (Brass)

SURFACE TREATMENT
Nickel-plated

OPERATING TEMPERATURE
-60°C ÷ 200°C



Code	D	d	d1	H	L	SW1	Package (pcs)
JCA1200701208	PG7	M12 x 1,5	9	15	5	14	100
JCA1200901608	PG9	M16 x 1,5	12,2	16	6	19	100
JCA1201101608	PG11	M16 x 1,5	13	16	6	22	100
JCA1201302008	PG13,5	M20 x 1,5	16	17,5	6,5	24	100
JCA1201602008	PG16	M20 x 1,5	18,5	17,5	6,5	27	100
JCA1201602508	PG16	M25 x 1,5	18,5	18,5	6,5	30	100
JCA1202102508	PG21	M25 x 1,5	23	19	7	32	50
JCA1202103208	PG21	M32 x 1,5	23	20	7	36	50
JCA1202904008	PG29	M40 x 1,5	32	21	8	43	50
JCA1203605008	PG36	M50 x 1,5	42	23	9	55	25
JCA1204206308	PG42	M63 x 1,5	48	25	10	65	10

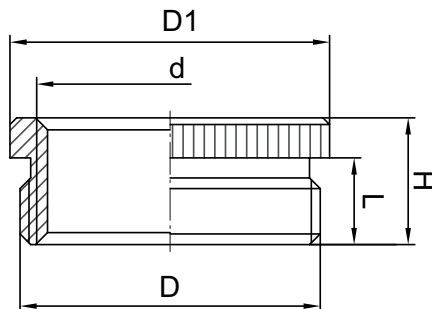
- 1
- 2
- 3
- 4
- 5
- 6
- 7
- 8
- 9
- 10
- 11
- 12
- 13
- 14
- 15
- 16
- 17
- 18
- 19
- 20
- 21



MATERIAL
OT58 (Brass)

SURFACE TREATMENT
Nickel-plated

OPERATING TEMPERATURE
-60°C ÷ 200°C



Code	D	d	D1	H	L	Package (pcs)
JCA1101602008	PG16	M20 x 1,5	24	9,5	6,5	100
JCA1102102508	PG21	M25 x 1,5	30	10	7	100
JCA1102902508	PG29	M25 x 1,5	39	11,5	8	50

1
2
3
4
5
6
7
8
9
10
11
12
13
14
15
16
17
18
19
20
21



MATERIAL - SURFACE TREATMENT

Body: OT58 (Brass) nickel-plated

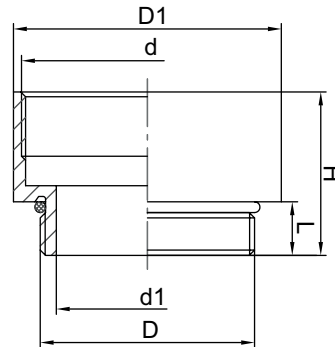
O-ring: NBR (Nitrile rubber)

PROTECTION GRADE

IP68 max

OPERATING TEMPERATURE

-40°C ÷ 100°C



Code	D	d	D1	d1	H	L	Package (pcs)
JCA1601200908	M12 x 1,5	PG9	17	8	16	5	100
JCA1601601108	M16 x 1,5	PG11	20	12	16,5	5	100
JCA1602001608	M20 x 1,5	PG16	24	15	19,5	6	100
JCA1602502108	M25 x 1,5	PG21	30	21	21,5	7	50
JCA1603202908	M32 x 1,5	PG29	39	26	25	8	50
JCA1604003608	M40 x 1,5	PG36	50	34	28,5	8	25
JCA1605004208	M50 x 1,5	PG42	57	44	32	9	10
JCA1605004808	M50 x 1,5	PG48	64	44	33	9	10

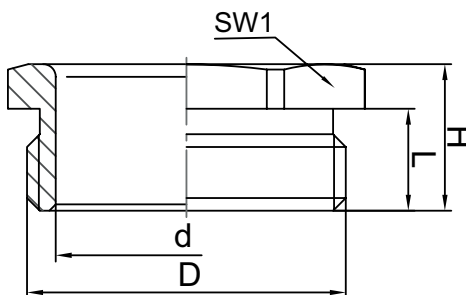
- 1
- 2
- 3
- 4
- 5
- 6
- 7
- 8
- 9
- 10
- 11
- 12
- 13
- 14
- 15
- 16
- 17
- 18
- 19
- 20
- 21



MATERIAL
OT58 (Brass)

SURFACE TREATMENT
Nickel-plated

OPERATING TEMPERATURE
-60°C ÷ 200°C



Code	D	d	H	L	SW1	Package (pcs)
JCA2801208008	M12 x 1,5	8,5	8,5	6	12	10
JCA2801612008	M16 x 1,5	12,5	8,5	6	16	10
JCA2802015008	M20 x 1,5	15,5	10,5	7,5	20	10
JCA2802520008	M25 x 1,5	20,5	11,5	8	25	10
JCA2803227008	M32 x 1,5	27,5	12	8	32	10

1
2
3
4
5
6
7
8
9
10
11
12
13
14
15
16
17
18
19
20
21